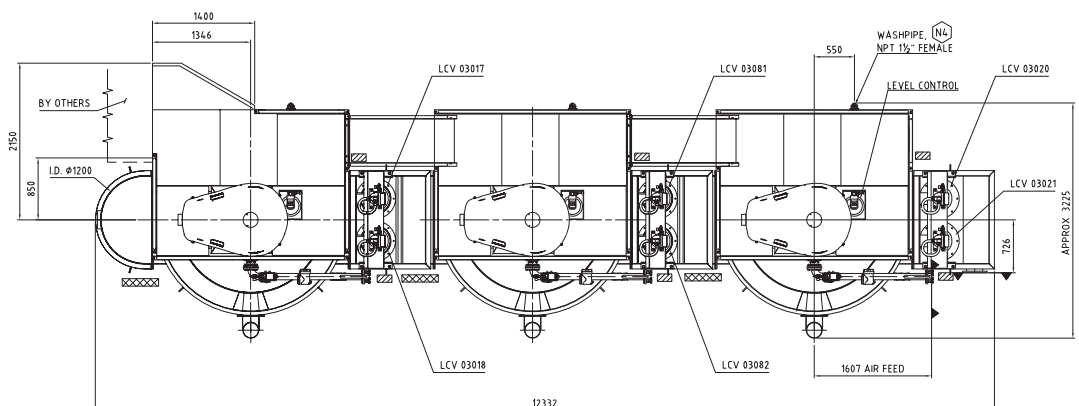
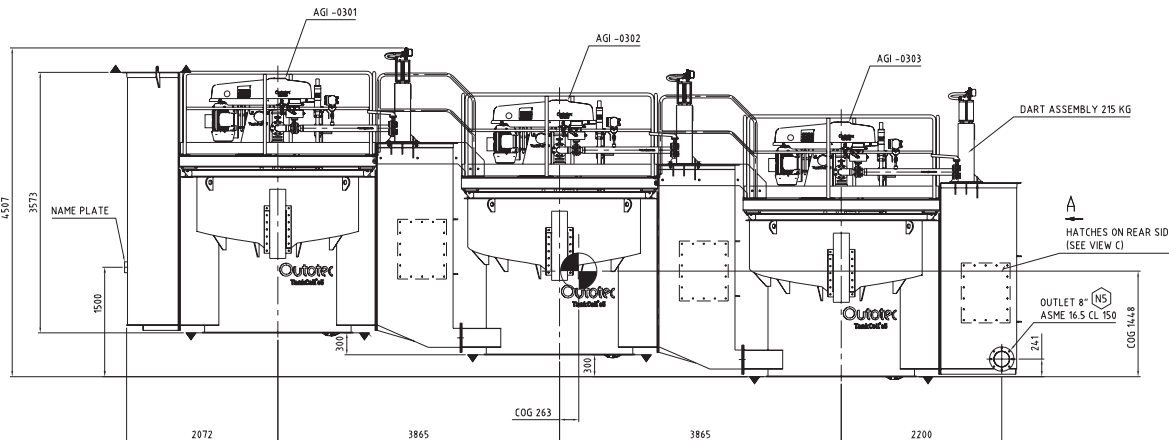


**THIS DRAWING AND DESIGN INCLUDING ANY PATENTED OR TRADE MARKED MATERIALS, METHODS, CONSTRUCTIONS, EQUIPMENT OR PROCESSES ARE THE PROPERTY OF MASON GRAPHITE INC. ANY REPRODUCTION OR TRANSMISSION OF THIS DRAWING OR DESIGN WITHOUT THE WRITTEN CONSENT OF MASON GRAPHITE INC. IS STRICTLY PROHIBITED. ANY SUCH REPRODUCTION OR TRANSMISSION SHALL BE AT THE USER'S SOLE RISK AND WITHOUT LIABILITY TO MASON GRAPHITE INC.**

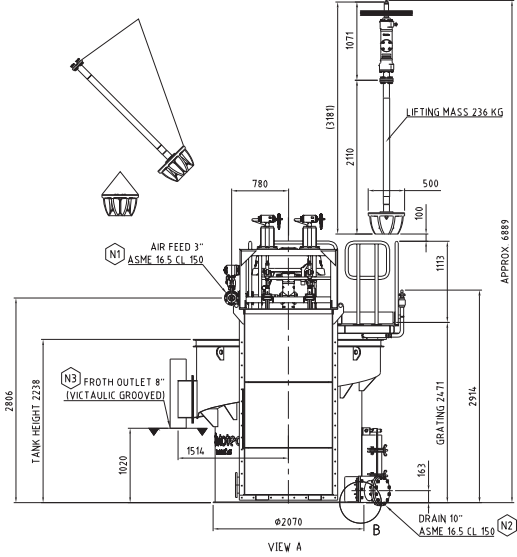
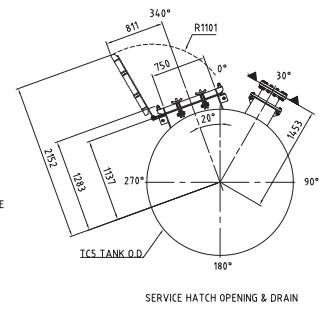
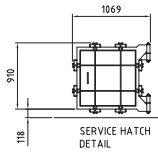
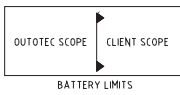


▨▨▨ RESERVED SPACE FOR PIPING (FOR REFERENCE, DON'T PLACE ANYTHING IN THIS AREA)  
 ▩▩▩ RESERVED SPACE FOR CABLE TRAY (FOR REFERENCE, DON'T PLACE ANYTHING IN THIS AREA)

ITEM	DESCRIPTION	SIZE	QTY	CONNECTION TYPE
N5	OUTLET	8"	1	ASME 16.5, CL 150
N4	WASHPIPE	NPT 1 1/2"	3	VALVE
N3	FROTH OUTLET	8"	3	VICTAULIC GROOVED
N2	DRAIN	10"	3	ASME 16.5, CL 150
N1	AIR FEED	3"	3	ASME 16.5, CL 150

NOZZLE LIST

REV.	NO.	REVISION	DATE	AUT/ISS	VER/CHE	APP
0		FOR INFORMATION	16.06.2017	termus	paslah	heijaa
6		FOR APPROVAL / CLIENT REVISION NUMBERS CHANGED	19.04.2018	termus	marlin	kallau
7		FOR APPROVAL	28.06.2018	hengus	paslah	heijaa
8		FOR APPROVAL	23.07.2018	termus	marlin	kallau
9		CERTIFIED	21.09.2018	termus	paslah	heijaa
11		FOR APPROVAL / CLIENT SHEET ADDED	13.11.2017	hengus	kallau	paslah



**COMPLIANCE VERIFICATION**

SCOPE OF VERIFICATION  
 TECHNICAL CONFORMANCE WITH DESIGN/CONSTRUCTION REQUIREMENTS  
 OTHERS

REF:

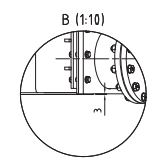
FINDING  
 REFER TO COMMENTS ON THE DOCUMENT  
 OTHERS

REF:

RECOMMENDATION  
 WORK MAY PROCEED.  
 >= REVIEW & RESUBMIT. WORK MAY PROCEED SUBJECT TO INCORPORATION OF CHANGES.  
 <= REVIEW & RESUBMIT. WORK MAY NOT PROCEED.  
 <= REVIEW NOT REQUIRED. WORK MAY PROCEED.  
 <= CANCELLED / SUPERSEDED.

DATE: 2018/10/19  
 DESIGNER: MITCHEL BALDWIN  
 CHECKED: [signature]  
 DATE: 5/7/2018  
 VERIFICATION: [signature]

THE VERIFICATION IS RESTRICTED TO THE ONE INDICATED AND DOES NOT IN ANY WAY CONSTITUTE A DETAILED AND COMPLETE DESIGN VERIFICATION IT DOES NOT IN ANY WAY RELEASE THE PERSON OR COMPANY WHO PREPARED IT FROM ALL OTHER OBLIGATIONS OF ANY NATURE WHATSOEVER.



EQUIPMENT NAME: ROUGHER FLOTATION CELLS  
 EQUIPMENT #: FCE-0301

<b>Outotec</b>	DATE: 13.06.2017	BY: hengus
SCALE: 1:30	REVISION: 16.06.2017	BY: juhkau
DWG. NO.:	REVISION: 16.06.2017	BY: afs/jal
MATERIAL NO.:	CLIENT'S DRAWING NO.:	

MASON GRAPHITE INC.	PROJECT / PRODUCT:	LAC GUÉRÉ ET Graphite project
DRAWING / TRACÉ:	GENERAL ARRANGEMENT	FB+1+IB+1+IB+1+IB+1+DB. Roughers TankCell® eS, E L
PROJ. NO.:	114_236	
REV. / CHANGEMENT:		
PROJ. / CLIENT / CLIENT NUMBER:	0U600938808	9

**MASON GRAPHITE**  
 INFORMATION DÉTAIL / STATUS INFORMATION  
 ÉTAT / STATUS:  
 A: APPROUVÉ / APPROVED  
 LES TRAVAUX PEUVENT CONTINUER / WORK MAY PROCEED  
 AC: APPROUVÉ AVEC COMMENTAIRES / APPROVED WITH COMMENTS  
 RESQUER LES TRAVAUX PEUVENT CONTINUER CONDITIONNELLEMENT A L'INTEGRATION DES COMMENTAIRES / (RESUBMIT) WORK MAY PROCEED SUBJECT TO INCORPORATION OF CHANGES  
 R: REJETÉ / REJECTED  
 RESQUER LES TRAVAUX DOIVENT ÊTRE ARRÊTÉS / RESUBMIT. WORK MAY NOT PROCEED  
 NR: REVUE NON REQUISE / REVIEW NOT REQUIRED  
 LES TRAVAUX PEUVENT CONTINUER / WORK MAY PROCEED

DESSIN No/DRAWING NUM	DESCRIPTION/DESCRIPTION	No	REV.	RAISON/PURPOSE	DATE	AUT/ISS	VER/CHE	APP
AE	CERTIFIED	19.9.2018	termus	paslah	heijaa			
AD	FOR APPROVAL	23.7.2018	termus	marlin	kallau			
AC	FOR APPROVAL	28.6.2018	hengus	paslah	heijaa			
AB	FOR APPROVAL	19.4.2018	paslah	kallau	heijaa			
AA	FOR APPROVAL / CLIENT SHEET ADDED	13.11.2017	hengus	kallau	paslah			

SCAUX/STAMP

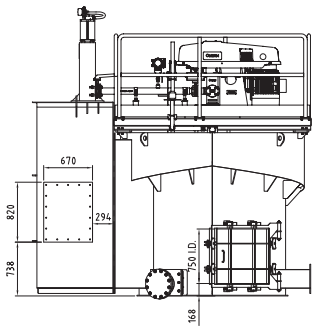
ÉMETTEUR/ISSUER  
**Outotec**  
 CLIENT/CUSTOMER

ENTREPRENEUR/CONTRACTOR  
**df** mining & handling

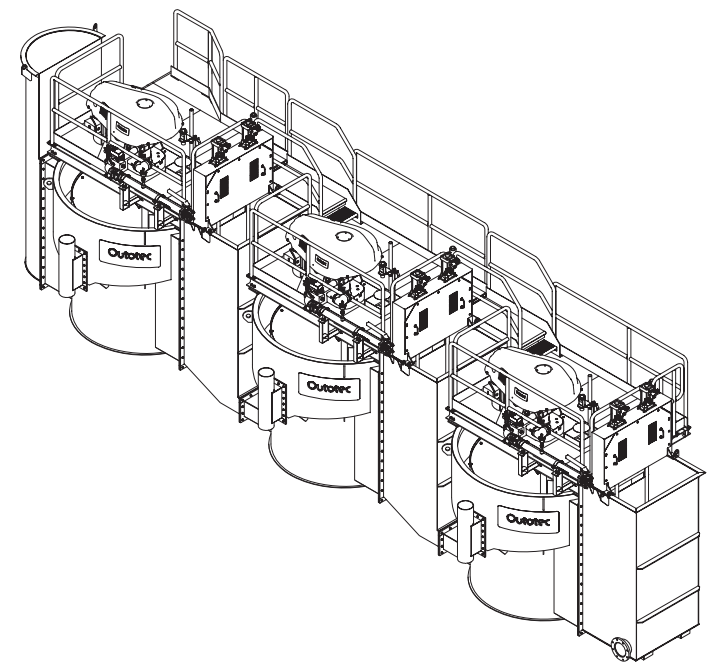
PROJ./PROJECT: MINE DE GRAPHITE LAC GUÉRÉ / LAC GUÉRÉ GRAPHITE MINE  
 TITRE/TITLE: ME011 Flotation Cells Rougher: GENERAL ARRANGEMENT FB+1+IB+1+IB+1+DB  
 NO CLIENT/CLIENT NUMBER: T01-OUT-3000-01-DWG-1013  
 ÉMETTEUR No/ISSUER NUM: hengus  
 CONCU PAR/DESIGNED BY: hengus  
 DESSINÉ PAR/DRAWN BY: juhkau  
 VÉRIFIÉ PAR/CHECKED BY: juhkau  
 APPROUVÉ PAR/PROVED BY: paslah  
 DATE/DATE: 13.11.2017  
 ÉCHELLE/SCALE: 1:30  
 FEU/SHT: 1/2  
 FORMAT: A1  
 REV: AE

DESSINS DE RÉFÉRENCE / REF. DRAWINGS      REGISTRE DES ÉMISSIONS / ISSUE REGISTER

THIS DRAWING AND DESIGN, INCLUDING ANY PATENTED OR PROPRIETARY FEATURES, IS THE PROPERTY OF MASON GRAPHITE INC. AND IS TO BE USED ONLY IN CONNECTION WITH THE ORDER. ANY REUSE OR MODIFICATION OF THIS DRAWING OR DESIGN WITHOUT THE WRITTEN PERMISSION OF MASON GRAPHITE INC. IS STRICTLY PROHIBITED. ANY VIOLATION WILL BE PROSECUTED TO THE FULL EXTENT OF THE LAW.



VIEW C



**CERTIFIED**

EQUIPMENT NAME: ROUGHER FLOTATION CELLS  
EQUIPMENT #: FCE-0301

<b>Outotec</b>		DESIGNED: 16.06.2017   henkus
SCALE: 1:30	NATURAL TOOLERANCE:	DRAWN: 16.06.2017   juhkau
DIMS: mm.	NATURAL: mm.	APPROVED: 16.06.2017   afsjal
CLIENT: MASON GRAPHITE INC.		CLIENT'S DRAWING No.:
PROJECT: LAC GUÉRÉT Graphite project		PROJECT No.:
DRAWING: GENERAL ARRANGEMENT		REF. DRAWING No.:
FB-1+IB-1+IB-1+DB. Roughers		PREVIOUS DRAWING No.:
TankCell® e5, E L		BILL OF MATERIAL No.:
SIZE: A1	SHEET: 2 / 2	DRAWING No.:
		REV: 0600938808 9

REV. No.	REVISIONS	DATE	DRAWN	CHECKED	APPROVED
0	FOR INFORMATION	16.06.2017	juhkau	juhkau	afsjal
6	FOR APPROVAL / CLIENT REVISION NUMBERS CHANGED	19.04.2018	pastah	kallau	heijaa
7	FOR APPROVAL	28.06.2018	hengus	pastah	heijaa
8	FOR APPROVAL	23.07.2018	termus	marlin	kallau
9	CERTIFIED	21.09.2018	termus	pastah	heijaa

ÉTAT / STATUS	A: APPROUVÉ / APPROVED	AC: APPROUVÉ AVEC COMMENTAIRES / APPROVED WITH COMMENTS	R: REJETÉ / REJECTED	NR: REVUE NON REQUISE / REVIEW NOT REQUIRED
	LES TRAVAUX PEUVENT CONTINUER / WORK MAY PROCEED	REQUERRAIT LES TRAVAUX PEUVENT CONTINUER / CONDITIONNEMENTS ET / INTÉGRATION DES COMMENTAIRES / (REQUIRE) WORK MAY PROCEED SUBJECT TO INCORPORATION OF CHANGES	REQUERRAIT LES TRAVAUX DOIVENT ÊTRE ARRÊTÉS / RESUBMIT. WORK MAY NOT PROCEED	LES TRAVAUX PEUVENT CONTINUER / WORK MAY PROCEED

DESSIN No/DRAWING NUM	DESCRIPTION/DESCRIPTION	No	REV.	RAISON/PURPOSE	DATE	AUT/ISS	VERV/CHE	APP
		AE		CERTIFIED	19.02.2018	termus	pastah	heijaa
		AD		FOR APPROVAL	23.7.2018	termus	marlin	kallau
		AC		FOR APPROVAL	28.6.2018	hengus	pastah	heijaa
		AB		FOR APPROVAL	18.4.2018	pastah	kallau	heijaa
		AA		FOR APPROVAL / CLIENT SHEET ADDED	13.11.2017	hengus	kallau	pastah

EMETTEUR/ISSUER: **Outotec**

ENTREPRENEUR/CONTRACTOR: **df** moving & handling

CLIENT/CUSTOMER: **MASON GRAPHITE**

PROJET / PROJECT: MINE DE GRAPHITE LAC GUÉRÉT / LAC GUÉRÉT GRAPHITE MINE	TITRE / TITLE: MEO11 Flotation Cells Rougher: GENERAL ARRANGEMENT FB+1+IB+1+IB+1+DB
NO CLIENT/CLIENT NUMBER: T01-OUT-3000-01-DWG-1013	EMETTEUR No/ISSUER NUM: hengus
CONCU PAR/DESIGNED BY: hengus	VERIFIÉ PAR/CHECKED BY: kallau
DESSEINÉ PAR/DRAWN BY: hengus	DATE/DATE: 13.11.2017
APPROUVÉ PAR/APPROVED BY: pastah	ECHELLE/SCALE: 1:30
FEU/SHT: 2/2	FORMAT: A1
REV: AE	

REGISTRE DES ÉMISSIONS / ISSUE REGISTER

SCÉAU/STAMP

